



## GFCI & ELCI User Attachable Plugs

The user attachable plug is ideal for existing equipment without GFCI protection, the male connector can be removed and the GFCI plug easily attached to equipment's cord. Applications include:

- ▶ Pressure Washers
- ▶ Floor Cleaners
- ▶ Power Tools
- ▶ Boat Lifts
- ▶ Drain Snakes
- ▶ Industrial Appliances
- ▶ Pumps
- ▶ Extension Cords

Rainproof rated, UL listed for outdoor use. To prevent unmonitored equipment startup, manual reset is required after GFCI trip and power outage. Allows compliance with National Electric Code (NEC 2008) Article 590.6 for "Temporary Installations" and OSHA regulation. Available with yellow or black case.

### FEATURES

#### 14880-002 GFCI

- ▶ Volts/Amps: **120V/15A**
- ▶ Accepts 12 - 18 AWG. (SJT)
- ▶ NEMA 5 - 15 P
- ▶ Trip Level: 4 - 6 mA



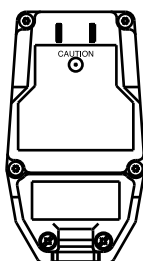
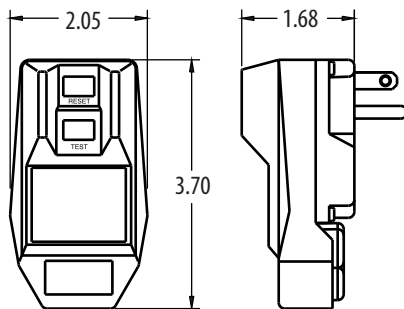
#### 54880-004 GFCI

- ▶ Volts/Amps: **120V/20A**
- ▶ Accepts 12 - 18 AWG. (SJT)
- ▶ NEMA 5 - 20 P
- ▶ Trip Level: 4 - 6 mA

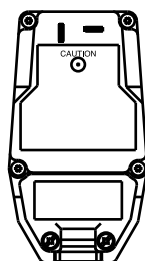


#### 24230-101 ELCI

- ▶ Volts/Amps: **120V/15A**
- ▶ Accepts 12 - 18 AWG. (SJT)
- ▶ NEMA 5-15 P
- ▶ Trip Level: 10 mA



14880-002



54880-004

### TECHNICAL DATA\*

|   |   |
|---|---|
| Grounded Neutral  | 4 Ohms typical  |
| Trip response time for ground fault and grounded neutral trip | less than 25mS  |
| Voltage surge withstand                                       | 3kv ringwave test and<br>4kv/2kA surge immunity test                              |
| Radio frequency noise susceptibility                          | operates within normal limits with 0.5 volts injected on power line 150kHz-230mHz |
| Frequency   | 50 / 60 Hz  |
| Endurance   | 3,000 operations minimum  |
| Overload Current  | six times rated current   |
| Operating temperature range                                   | -35° C to 66° C   |
| Effect of 10 Amp turn DC Shock on ground fault trip           | 5% maximum trip level variation   |
| Insulation voltage  | 1500VRMS - 1 Min.   |
| Power On indication   | mechanical indicator  |

\* Applies to 14880-002 and 54880-004