

## PRCD In-line User Attachables

CE Certified Portable Residual Current Device (PRCD); EU Directives 89/336/EEC – Electromagnetic Compatibility Directive, 72/23/EEC – Low Voltage Equipment Directive & IEC 61540 – International standard for PRCD's. Available 120V – 230V, 6mA – 30mA trip levels. Applications include:

- ▶ Pressure Washers
- ▶ Floor Cleaners
- ▶ Power Tools
- ▶ Boat Lifts
- ▶ Construction Sites
- ▶ Drain Snakes
- ▶ Industrial Appliances
- ▶ Pumps
- ▶ Extension Cords

To prevent unmonitored equipment startup, manual reset is required after PRCD trip and power outage.

### FEATURES

#### Model 47000

- ▶ Volts/Amps: 120V/16A
- ▶ Accepts: 1.5 – 2.5mm<sup>2</sup> conductor/  
7.8-16.2mm dia. Cord Sets
- ▶ Trip Level: 6 mA max.
- ▶ CE Compliant



#### Model 47010

- ▶ Volts/Amps: 230V/16A
- ▶ Accepts: 1.5 – 2.5mm<sup>2</sup> conductor/  
7.8-16.2mm dia. Cord Sets
- ▶ Trip Level: 10 mA max.
- ▶ CE Compliant



#### Model 47020

- ▶ Volts/Amps: 230V/16A
- ▶ Accepts: 1.5 – 2.5mm<sup>2</sup> conductor/  
7.8-16.2mm dia. Cord Sets
- ▶ Trip Level: 6 mA max.
- ▶ CE Compliant



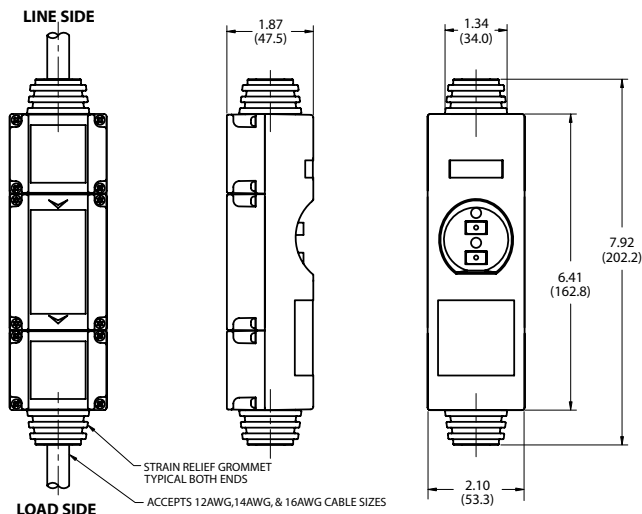
#### Model 47030

- ▶ Volts/Amps: 230V/16A
- ▶ Accepts: 1.5 – 2.5mm<sup>2</sup> conductor/  
7.8-16.2mm dia. Cord Sets
- ▶ Trip Level: 30 mA max.
- ▶ CE Compliant



### TECHNICAL DATA

Operating Voltage Range	120/127 or 230V nominal @ 50/60 Hz
Operating Load Current	16 amps max.
Residual Current Trip Window	6, 10, 30mA
Response Time	40mS max at 5(I $\Delta$ n)
Contacts	Normally Open (Manual Reset) Contacts open with loss of power
Environmental Rating	IP-54



Tested by Recognized Third Party Safety Body.  
Declaration of Conformity Available.